

Motor: 1 x Internal Motor

Lighting: 2x Variable Warmth & Dimmable Strip Lights

Motor & Light Control: Radio Remote Control

Duct: 1 x \varnothing 150mm Left Outlet - This can be changed to Back, Front or Right on Site - See Installation Manual

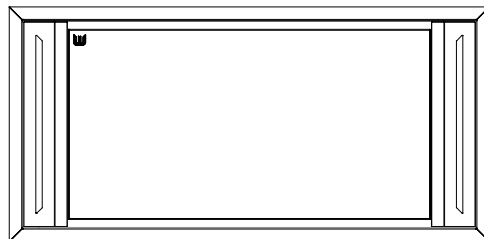
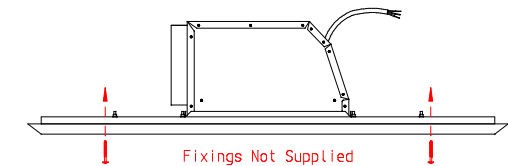
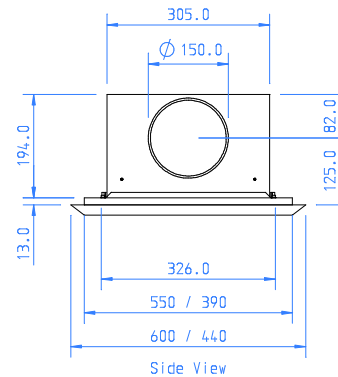
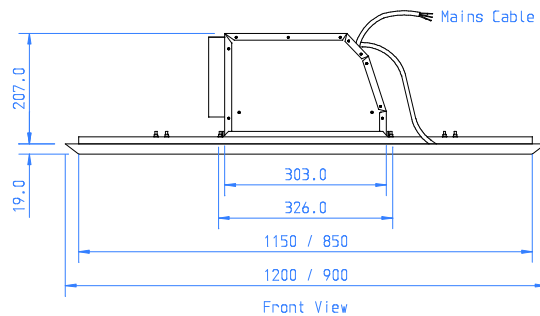
Ceiling Cutout:

900 x 440: 860mm x 400mm

900 x 600: 860mm x 360mm

1200 x 440: 1160mm x 400mm

1200 x 600: 1160mm x 560mm



This product has been specified with recirculating carbon filters which will require periodic replacement to remain effective. The lifespan of carbon filters will depend on the frequency of use and potency of contaminants so cannot be predicted, however, these should be replaced at least annually.

The unit vents out through the exhaust spigot shown on the drawing. You must therefore make provisions for the expelled air to return into the kitchen via suitable means, for example via a short duct to an air grille or out through an opening in the top of your furniture. Ideally air should return to the room at a high level in order to minimise draughts and maximise the mixing of contaminated and uncontaminated air.

The potency of the contaminants will affect how long it takes to completely remove odours, with the discharged air mixing with other air in the room and then being drawn back through the extractor in a continuous cycle.